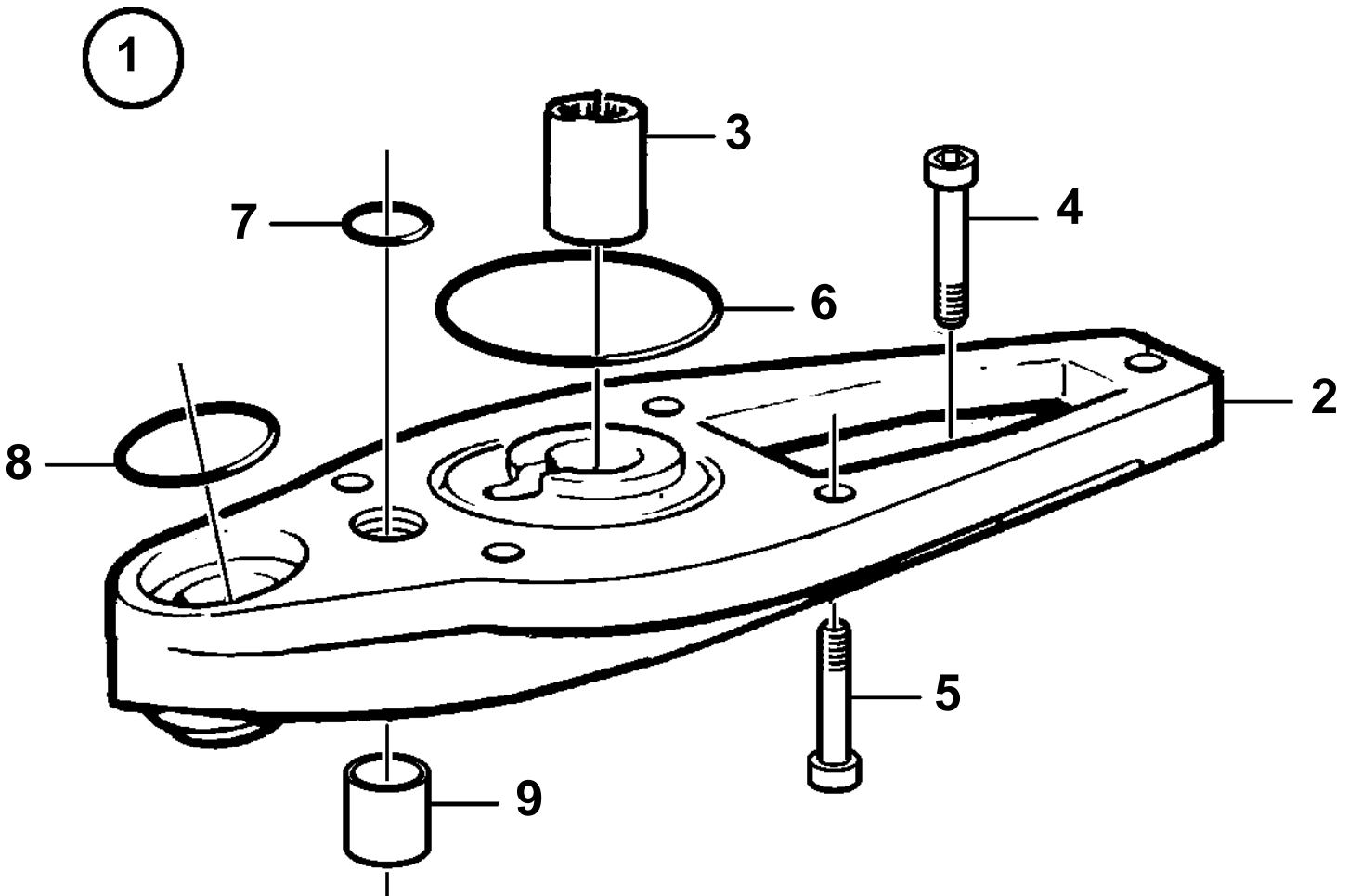


AD31P-A, AD31L-A, TAMD31L-A, TAMD31M-A, TAMD31S-A, TMD31L-A, D41L-A, AD41P-A, AD41L-A, TAMD41P-A, TAMD41L-A, TAMD41M-A, TAMD41H-A, TAMD41H-B, TMD41L-A



23057

AD31P-A, AD31L-A, TAM31L-A, TAM31M-A, TAM31S-A, TMD31L-A, D41L-A, AD41P-A, AD41L-A, TAM41P-A, TAM41L-A, TAM41M-A, TAM41H-A, TAM41H-B, TMD41L-A

| REF | PART NO. | QTY | DESCRIPTION            |
|-----|----------|-----|------------------------|
| 1   | 3858596  | 1   | Extension kit          |
| 2   |          | 1   | · Intermediate section |
| 3   | 854684   | 1   | · Splined sleeve       |
| 4   | 959448   | 3   | · Screw                |
| 5   | 959461   | 4   | · Screw                |
| 6   | 925256   | 1   | · O-ring               |
| 7   | 125017   | 1   | · O-ring               |
| 8   | 941820   | 1   | · O-ring               |
| 9   | 897823   | 1   | · Tube                 |